



# megaline 2500

3D WHEEL ALIGNMENT SYSTEM  
WITH HIGH EFFICIENCY AND  
SPACE-SAVING STRUCTURE

✓  
**ACCURATE**  
MEASUREMENTS

**HD**  
TARGETS



  
**DIAGNOSIS**  
**REPORT**



*megaline*

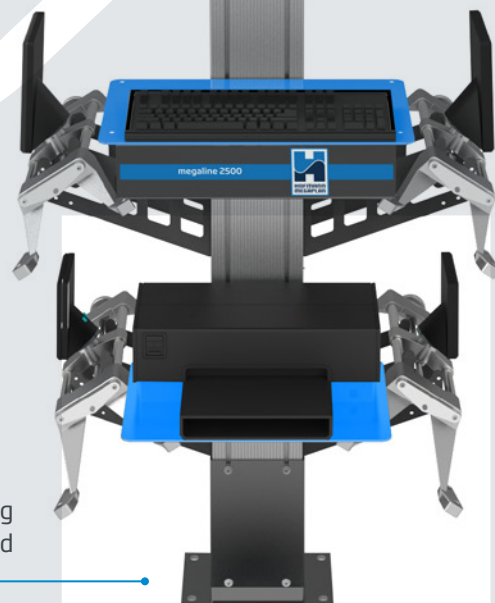
*The wide range of wheel aligners provided by Hofmann Megaplan represents an effective solution for measuring the alignment of cars and heavy vehicles. Hofmann Megaplan wheel alignment systems are highly technological and quickly generate extremely accurate and reliable results.*

# megaline

Computer equipped with Windows 10 operating system and 27" monitor.



The perfect space-saving structure for small-sized workshops.



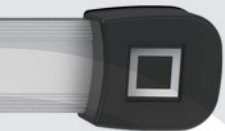
# megaline 2500

3D WHEEL ALIGNMENT SYSTEM  
WITH HIGH EFFICIENCY AND  
SPACE-SAVING STRUCTURE



## Accurate measurements

The 3D technology detects all alignment parameters of cars and light commercial vehicles, measuring with extreme precision the vehicle's toe, camber, and maximum steering angle, with the possibility of real-time adjustment of the detected values. In addition, the system allows the measurement of single wheel lifted run-out in case of restricted space or lifts with steps.



## HD targets

Targets are extremely compact and light, as they are without electronics and batteries. In the standard version, the targets are mounted on 4-point clamps for wheels from 12" to 24" (up to 27" if fitted with special optional extensions).

The system allows measurement with 2 targets in the case of long vehicles.

## Updated database

The database, updated every four months, contains more than 55,000 models with related specifications. Software and database updates automatically take place via internet connection.



## Diagnosis report

The diagnosis page shows the measurements made on the vehicle alongside the specifications provided by the database, highlighting in red the measurements that are outside the specification limits and which will need to be adjusted. The Audit function provides a diagnosis of possible driving disorders resulting from measurements outside specification limits.



## Optional accessories



### PREMIUM TURNTABLES

Two premium turntables for cars complete with paddles.



### 3-POINT CLAMPS

Set of four 3-point clamps for 12" - 23" rims (excluding pins) Ø40 mm hole.



### 3-POINT QUICK CLAMPS

Set of four 3-point quick wheel clamps. For tyres 20,5"-41" , Rims 13" - 24,5".



### EXTENSIONS FOR 4-POINT CLAMPS

Kit of 16 extensions for rims up to 27".



### WEBCAM

Camera aid to facilitate vehicle positioning on the lift.



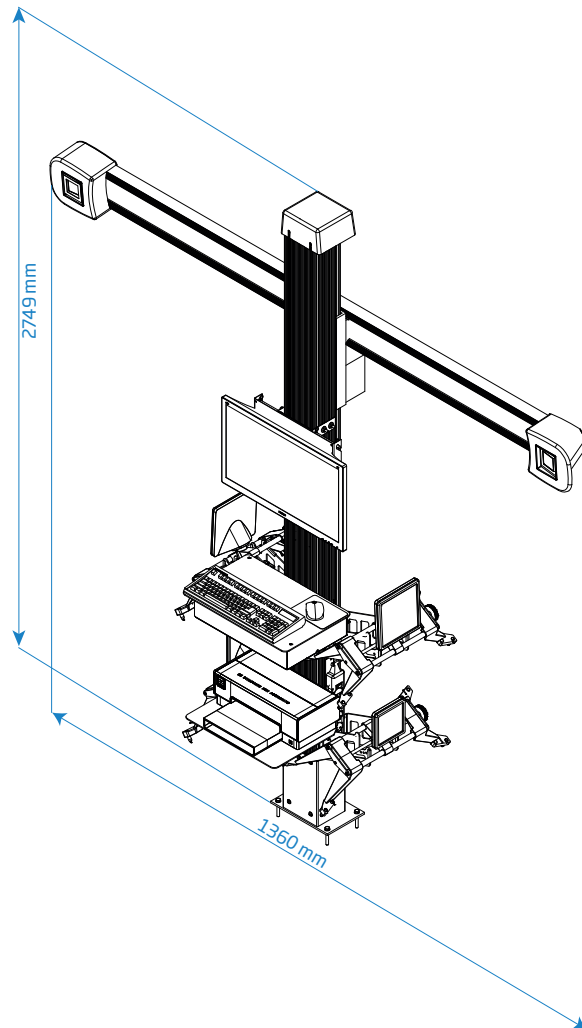
### CALIBRATION KIT

Calibration Kit complete with spirit level to calibrate the cameras.

## Standard accessories



Cabinet, computer with 27" TFT monitor, colour printer, keyboard, four 4-point clamps (12"-24") with universal grips and targets, brake pedal lock, steering lock, two mechanical turntables for cars, software and database for cars, USB Wi-Fi adapter.



## Technical data

Power supply	230 VAC - 1-phase - 50/60 Hz
	115 VAC - 1-phase
Max power absorbed	0,7 kW
Max current absorbed	3 A - 230 V
	6 A - 115 V



**HOFMANN MEGAPLAN GmbH**  
 Hüttenstrasse 7 - 67550 Worms - Germany  
 T +49 (0)6242 913 6666 - hm-mail@hofmann-megaplan.com  
[www.hofmann-megaplan.com](http://www.hofmann-megaplan.com)