


megamount **HAMMER** LEVER LESS-SUPER-AUTOMATIC

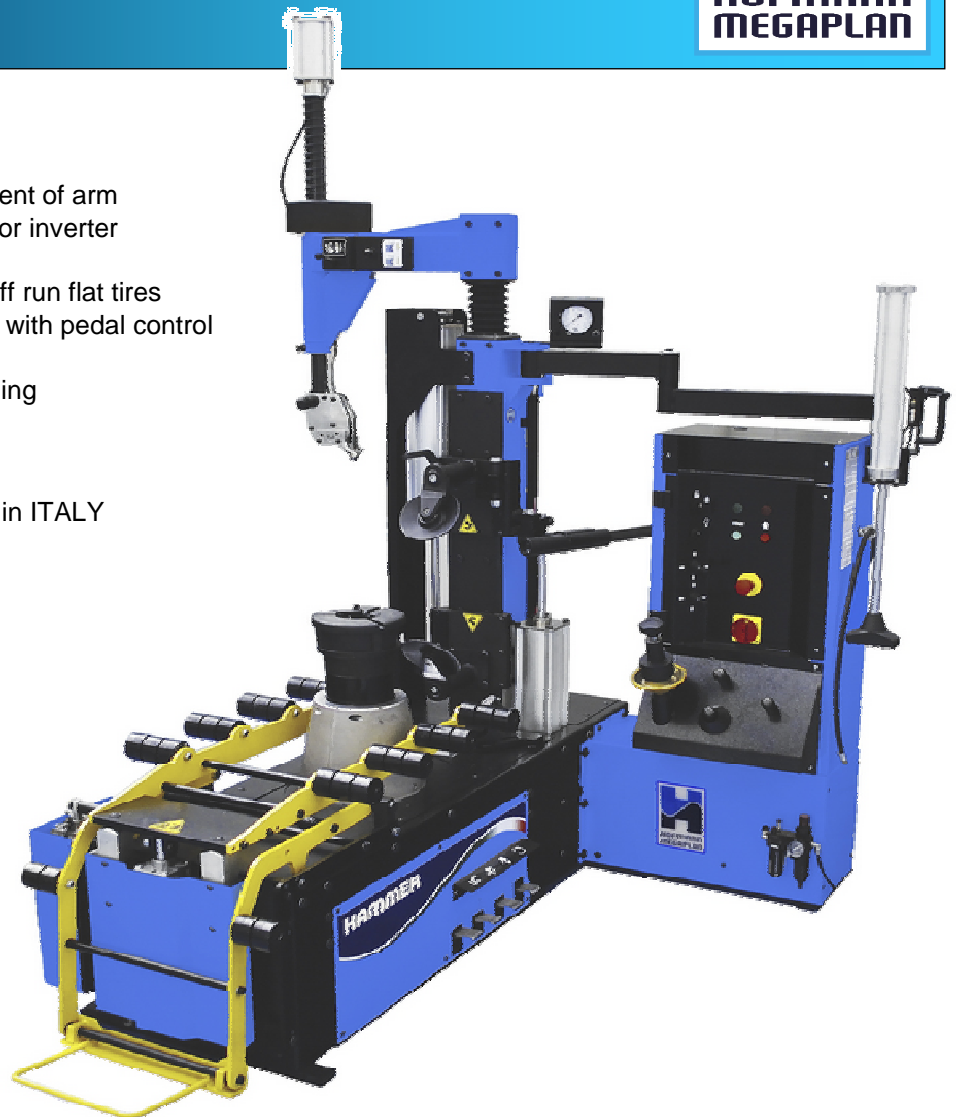
Simply Top of the Art, solid lever less super automatic design in the market with electric wheel positioning system, and position memory system.



MAIN FEATURES

- Lever less system with side movement of arm
- Wheel displacement system by Motor inverter
- Clamping range 12"-30"
- Spider Assist 3® - strong arm for stiff run flat tires
- Multi speed Motor inverter turntable with pedal control
- Wheels lifter for easy tires handling
- Electronic memory for tools positioning
- Ergonomic side operation

 Designed, and manufactured in ITALY
several patents pending®



Shown with optional Lifting Assist and Spider Assist 3 press system



Centered clamping

Use the integrated wheel lift (option) to place the tyre on top of the clamping device, and fix the tire pneumatically. The centre post clamping ensures there is no contact with the outer edge of the rim.

Leverless System

With the 'lever-less' mounting system one can remove the tyre at the flick of a switch rather than strenuous leverage with the traditional tyre lever. Used for mounting and dismounting.



Standard accessories coming with the machine:

- Oiler with manometer
- Grease pot holder
- Pedal inflating
- 10 bar operating pressure limiting device
- Air pump for inflating with CE 3,5 bar pressure limiting device
- Plastic protection package

Optional Accessories



Lifting Assist ®

Wheel lifter for easy positioning of tires on studs, and effortless tire moving.



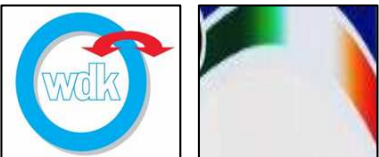
Spider Assist 3 ®

This is the space saving patented evolution of similar design, optimal for handling run-flat tyres in super automatic machines. Single assist arm provides the additional handling power for stiff low profile tires. The innovative Spider-design allows great space saving, and easy operations.



Mega Bazooka

This device helps seat the bead of stubborn sidewalls when inflating. Mobile unit with possibility to be integrated in the machine. Replaces the GT device.

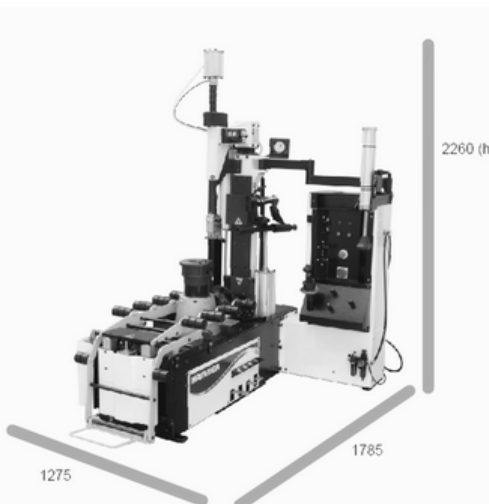


WDK-KIT

to provide full WDK compatibility.

Colour Options

Special colours on demand for minimum quantity



TECHNICAL DATA	
Air pressure	8 to 10bar
Wheel displacement system by Motor inverter	1 Ph 220V /50Hz /750W
Rotation by Motor inverter	1 Ph 220V /50Hz /750W
Bead Breaking	Double pneumatic
Rim clamping	12"-30"
Mounting/dismounting	Rotating tower
Maximal tyre diameter	1300mm
Maximal rim width	18" (460 mm)
Memory tools positioning	Electronic memory system
Rotating speed range	8 rpm – 18 rpm
Pneumatic locking system	2500 kg / 8 bar
Lever less system operation	Automatic
Dimensions, (packed - W x D x H)	179 x 128 x 226 cm ()
Net weight (packed)	570kg ()